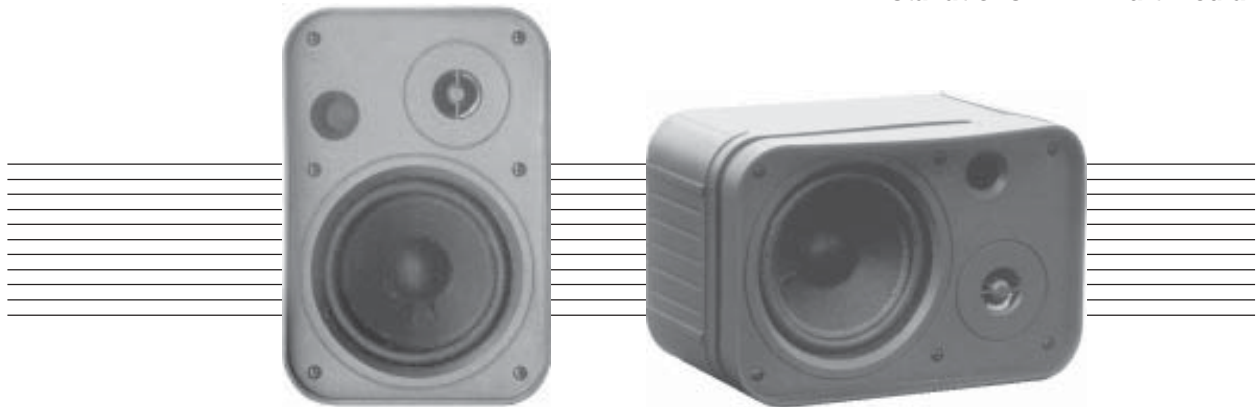


# Ambience 1

## ULTRA COMPACT SPEAKER SYSTEM



• Installations • AV • Multimedia



The ARX Ambience 1 is a 2 way ultra compact high performance speaker system that provides truly stunning sound from a surprisingly small package that doesn't visually intrude on installation decor. It is made from a durable, yet lightweight high impact resin, and designed with reinforcing ribs and smooth rounded edges to eliminate cabinet resonance and avoid early reflection smearing.

Low frequencies are handled by a foam rolled surround 5¼" bass driver, and High frequencies by a soft dome ¾" HF driver. Both drivers are screwed and sealed for rigid mounting to the front baffle.

Both drivers are magnetically shielded to avoid monitor distortion in Audio Visual use.

Frequency management is provided by a 2nd Order 12 dB per octave crossover, internally mounted on a fibreglass printed circuit board.

Internal damping to reduce standing waves is provided by Fiberfil filling, and the cabinet is vented for optimum bass performance. Connectors are push terminal as standard,

which allows for completely flush mounting against walls.

Its light weight means that the Ambience 1 can easily be mounted out of the way of sightlines. For horizontal mounting requirements there are two threaded holes on the lower face, and for vertical mounting there is a hook stud hole on the rear face of the cabinet.

And, because we know what conditions professional speakers have to endure, we've protected the front of the cabinet with a sturdy steel mesh grille, not fragile cloth.

For installers, the special matte finish of the cabinet means that its neutral dark colour (or white - see options at right) will blend neatly in with existing decor, and can also be easily painted for applications that require complete colour coordination.

To sum it all up, the ARX Ambience 1 is a speaker system of stunning sound quality, suitable for the most demanding installations.

### ORDERING OPTIONS

**AMB1-8** 8 ohm, standard terminals  
Add the suffix **W** for WHITE cabinet colour.

### AMBIENCE 1 SPECIFICATIONS

Each Ambience 1 cabinet comprises 1 x 5¼" (135 mm) Low Frequency drivers and 1 x ¾" soft dome High Frequency driver, in an optimally vented GRP resin enclosure.

**Frequency Response** 60Hz-20KHz ±5 dB

**Impedance** Standard 8 ohms (see above for options)

**Long/Short Term Power** 75W / 110W

**Sensitivity @ 1 Watt, 1 Metre** 86dB

**Maximum SPL @ 1 Metre** 112 dB

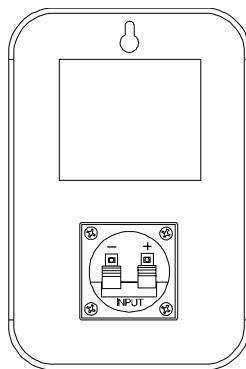
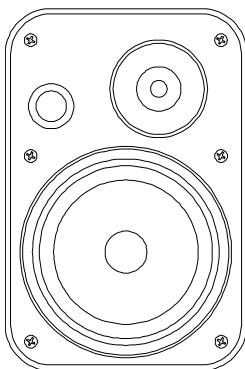
**Crossover Frequency** 3 KHz

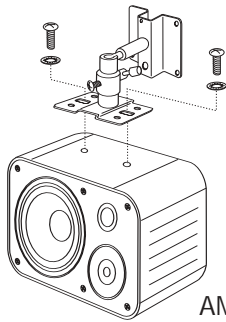
**Connectors** Push Terminals

**Dispersion** 120°V x 120°H, -6db down

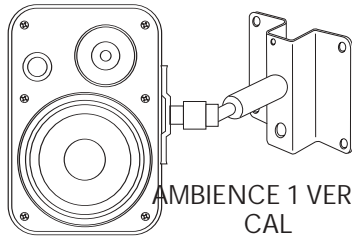
**Maximum Dimensions**  
225H x 150W x 150mmD

**Weight** 2 Kg each





AMBIENCE 1 HORIZONTAL MOUNTING



AMBIENCE 1 VERTICAL MOUNTING

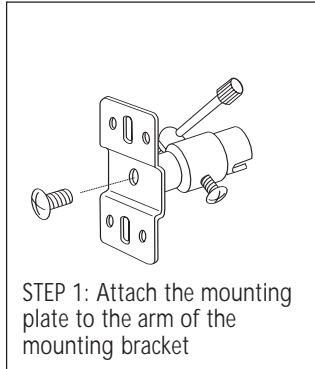
## INSTALLING THE AMBIENCE 1

ARX Ambience 1 speakers are suitable for both Vertical and Horizontal installation, depending on the coverage pattern required.

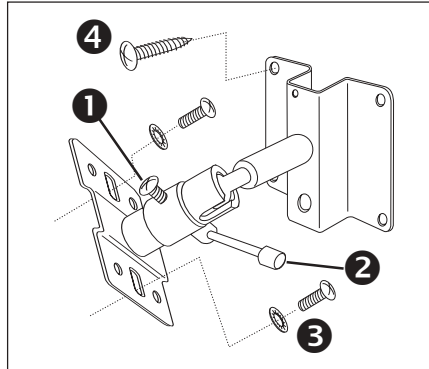
Care must be taken to ensure that the surface to which they are to be mounted is capable of supporting the weight of the Ambience 1.

In a brick/concrete wall, make sure that suitable anchor bolts are used.

In a plasterboard/drywall installation, it is important to ensure the mounting fasteners are screwed *through* the plasterboard surface to the supporting stud or beam underneath.



STEP 1: Attach the mounting plate to the arm of the mounting bracket



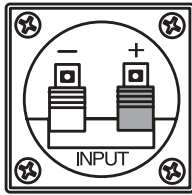
STEP 2: Tighten up grub screw (1) on the mounting bracket. Leave adjustment arm (2) loose.

STEP 3: Attach the mounting plate to the speaker box using the 2 machine screws (3) and shakeproof washers

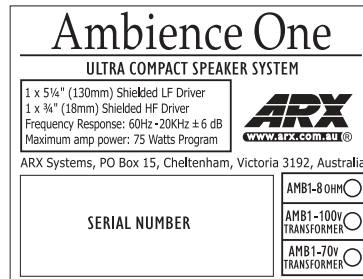
STEP 4: Attach the mounting bracket to the wall using 4 suitable fasteners (4)

STEP 5: Adjust the angle as required and then tighten adjustment arm (2)

STEP 6: Connect appropriate Input signal to the cabinet (*see below*)



The Standard Input is used for fixed installations, with push terminal bare wire connections. Impedance is 8 ohms



AMBIENCE 1 REAR PANEL LABEL

A coloured circle in the Right Side checkbox will indicate the internal setup of the cabinet

## ARCHITECTS AND ENGINEERS SPECIFICATIONS

The loudspeaker system shall be a two way system constructed from high impact injection moulded resin and shall have integral mounting points. Drivers shall be a 125 mm (5") low frequency driver and a 15 mm (3/4") high frequency driver. The low and high frequencies shall be integrated by a twelve dB per octave crossover network.

Sensitivity measured on axis @ 1 metre shall be 86 dB. Frequency response measured @ 1 metre on axis shall be 60Hz - 20kHz  $\pm$  5db. Maximum SPL @ 1 metre on axis shall be 112 dB.

Dimensions shall be 9"H x 6"W x 6"D (225H x 150W x 150D mm) and it shall weigh 2 kgs (4 1/2 lbs)

### (Ambience 1: 8 ohm version)

Rated impedance of the loudspeaker system shall be 8 ohms.

The loudspeaker system shall be the ARX Ambience 1 - 8.



Latest updates available at: [www.arx.com.au/ambience1.htm](http://www.arx.com.au/ambience1.htm)

Our policy is one of continuous improvement, and therefore designs may change without notice. However, unless otherwise stated, specifications will always equal or exceed those previously given.

ARX Systems Pty Ltd; PO Box 15, Moorabbin, Victoria 3189, Australia  
 Phone: 03 9555 7859 Fax: 03 9555 6747 International Fax +61 3 9555 6747  
 Email: [info@arx.com.au](mailto:info@arx.com.au) Internet: [www.arx.com.au](http://www.arx.com.au)