

Bracket 2



FOR COMPACT SPEAKER SYSTEMS UP TO 15 KG

INSTALLATION INSTRUCTIONS

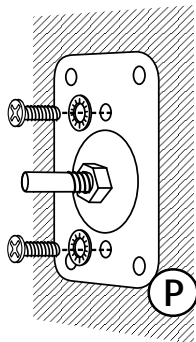
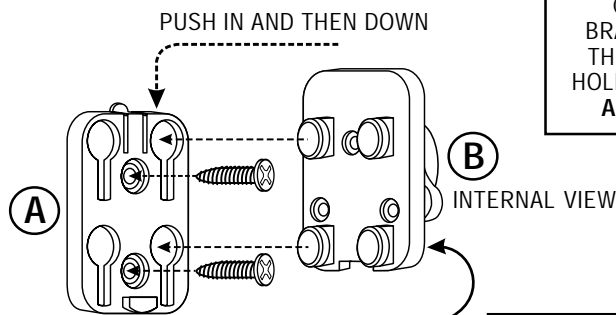


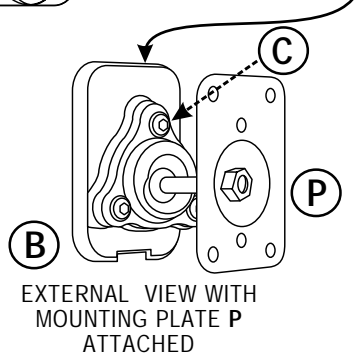
PLATE P MOUNTED ON REAR OF CABINET

STEP 1:
ATTACH THE MOUNTING PLATE P TO THE SPEAKER BOX USING MACHINE SCREWS AND SHAKEPROOF WASHERS

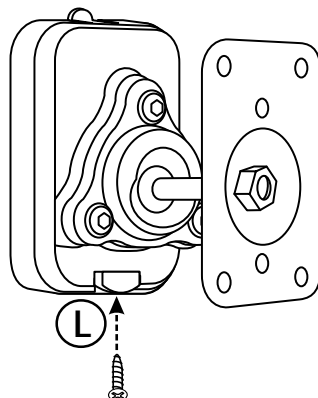
STEP 2:
ATTACH THE MOUNTING BRACKET PART A TO THE WALL USING 2 SUITABLE FASTENERS



STEP 3:
PUSH THE 4 CIRCULAR CONNECTORS ON BRACKET PART B INTO THE CORRESPONDING HOLES IN BRACKET PART A, AND PUSH DOWN

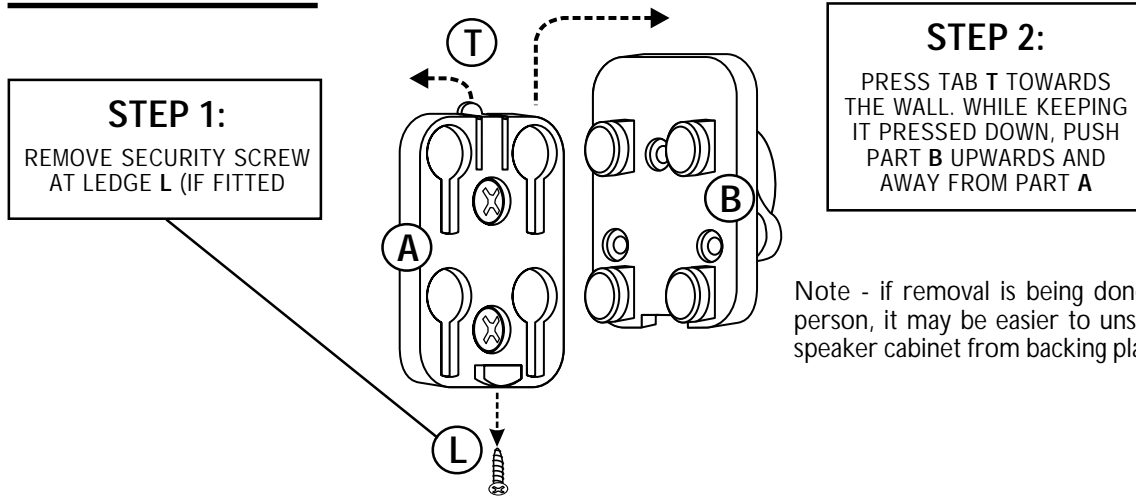


STEP 4:
ADJUST THE ANGLE AS REQUIRED AND THEN TIGHTEN THE 3 RECESSED HEX HEAD ADJUSTMENT BOLTS C WITH AN ALLEN KEY

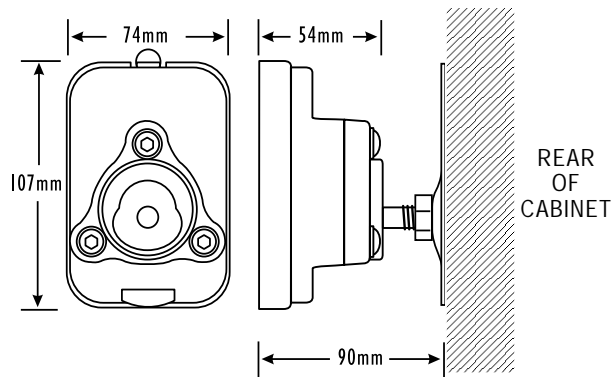


STEP 5:
IF REQUIRED FOR SECURITY A SELF TAPPING SCREW CAN BE SCREWED VERTICALLY INTO LEDGE L TO LOCK BOTH PARTS TOGETHER

REMOVAL



DIMENSIONS



ARX
www.arx.com.au®

Our policy is one of continuous improvement, and therefore designs may change without notice. However, unless otherwise stated, specifications will always equal or exceed those previously given.

ARX Systems Pty Ltd; PO Box 15, Moorabbin, Victoria 3189, Australia
Phone: 03 9555 7859 Fax: 03 9555 6747 International Fax +61 3 9555 6747
Email: info@arx.com.au Internet: www.arx.com.au