

SPL Series

INTEGRATED SELF POWERED
LOUDSPEAKER SYSTEM



CONNECTING MULTIPLE CABINETS

The rear panel of the SPL series of cabinets have both audio and AC power loop out connectors.

This unique combination lets you set up the cabling in a **serial** fashion - from one cabinet to the next - rather than the traditional **radial** arrangement where all leads come from a central point.

Up to a maximum of four cabinets can be connected up in this way.

For the Audio in and out, the standard female input and male output XLR conventions are observed.

For the AC power, we have used the new PowerCon connectors from

Neutrik, for several reasons.

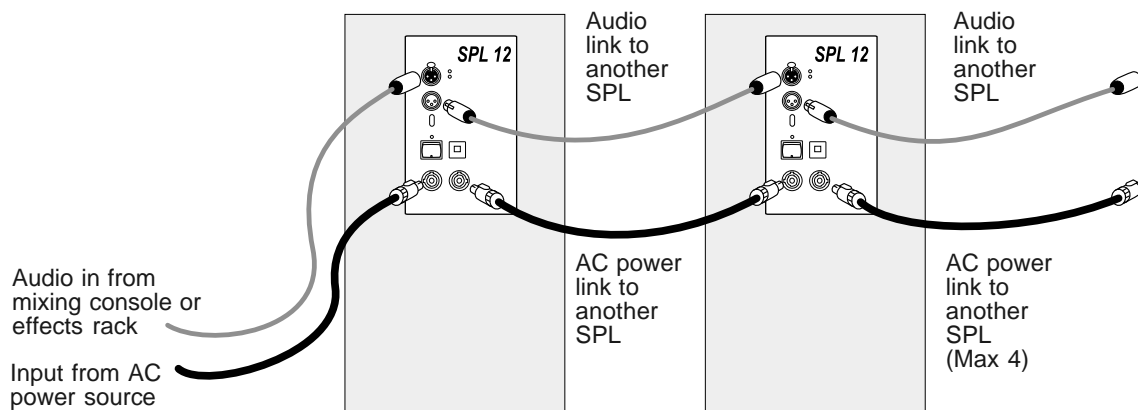
1. They are a locking connector, that needs a positive twist to release it. A power cable vibrating out during a performance can be a real nuisance when the system is ground stacked, and a disaster when it is flown. Using these connectors removes this risk.
2. They are designed in a similar fashion to the Speakon speaker connector, so are designed to cope with less than perfect conditions.
3. All pins are fully recessed, on both the plug and socket, removing all risk of electrical shock.

4. The connectors are fully approved by all electrical safety authorities.

The blue connector on the cabinet is the AC power Input, Part # NAC 3 MPA. This mates with the corresponding line connector # NAC 3 FCA.

The white connector on the cabinet is the AC power Output, Part # NAC 3 MPB. This mates with the corresponding line connector # NAC 3 FCB.

To loop from one cabinet to another will require a power cable with an NAC 3 FCA on one end and an NAC 3 FCB on the other.



Each SPL cabinet comes supplied with 1 x blue NAC 3 FCA line connector, which can be fitted to existing cabling to facilitate using the cabinet straight away. Further supplies of connectors can be obtained from your Neutrik distributor or your ARX dealer.

As a suitable cable for carrying both Audio and AC power, we recommend Eurocable DMX 1 or similar

As mentioned previously, up to a maximum of 4 x SPL cabinets can be looped from a typical single AC power source.

These can be configured as 2 x SPL 12 and 2 x SPL SUB15/18; or alternatively 4 x SPL 12 on one source and 4 x SPL SUB15/18 on another.



Our policy is one of continuous improvement, and therefore designs may change without notice. However, unless otherwise stated, specifications will always equal or exceed those previously given.



ARX Systems Pty Ltd; PO Box 15, Moorabbin, Victoria 3189, Australia
Phone: 03 9555 7859 Fax: 03 9555 6747 International Fax +61 3 9555 6747
Email: info@arx.com.au Internet: www.arx.com.au